



SALES & ENGINEERING DATA

1" TRIPLE DIAPHRAGM PUMP(2:1 Ratio Pressure)

MODEL:DP32-25XXXXXXX

◆SPECIFICATIONS:

Air Inlet(Female): 1/4"BSPT(1/4"NPT Available On Request)

Fluid Outlet: 1"BSPT Or 1"NPT;

Fluid Inlet: 1"BSPT Or 1"NPT;

Maximum Flow Rate: 35GPM(133LPM)

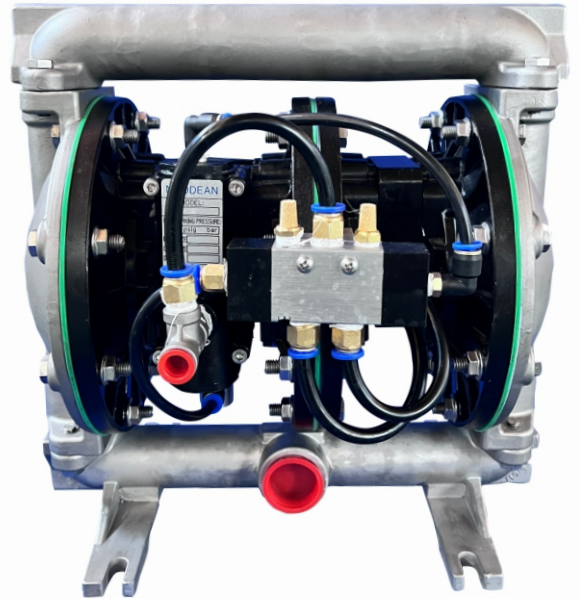
Max. Air Input Pressure: 100psi(7bar)

Fluid Pressure Range: 20-200psi(1.4-14bar)

Suspended Solids Max. Dia.: 1/8"(3.2mm)

Maximum Dry Suction Lift: 20feet(6.1m)

Weight: (18kg);



◆PRODUCT ADVANTAGES:

1. Fluid pressure is increased to 2:1 Ratio of compressed air pressure without sacrificing flow.
2. Stall-free Design.
3. Self-lubricating,lube-free and maintenance-free air system.

◆APPLICATION AREAS:

Filter press, ceramic, high head pressure or long distance

◆MODEL DESCRIPTIONS & ORDERING:

DP32	-	25	X	X	X	X	X	X	X
		PumpSize	CenterBody Mat.	FluidCaps ManifoldMat.	Seat Material	BallCheck Material	Diaphragm Material	Fluid Connections	Hardware

Pump Size	25-1"								
CenterBody Mat.	A-Aluminum				C-CastIron				
FluidCaps ManifoldMat.	A - Aluminum				S -StainlessSteel		C-CastIron		
Seat Material	1 - Aluminum		2 - 316StainlessSteel		4-PVDF(Kynar)		5-CarbonSteel		
	E-Santoprene		8-HardStainlessSteel		9-Hytrel		G-Nitrile		
Ball Check Material	2-Nitrile		C-Hytrel		4-PTFE		E-Santoprene		
Diaphragm Material	2-Nitrile		4-PTFE/Santoprene		9-Hytrel		B-Santoprene		
FluidConnections	N-NPTThreads				B-BSPThreads				
Hardware	S-StainlessSteel				C-CarbonSteel				

1" TRIPLE DIAPHRAGM PUMP(2:1 Ratio Pressure)

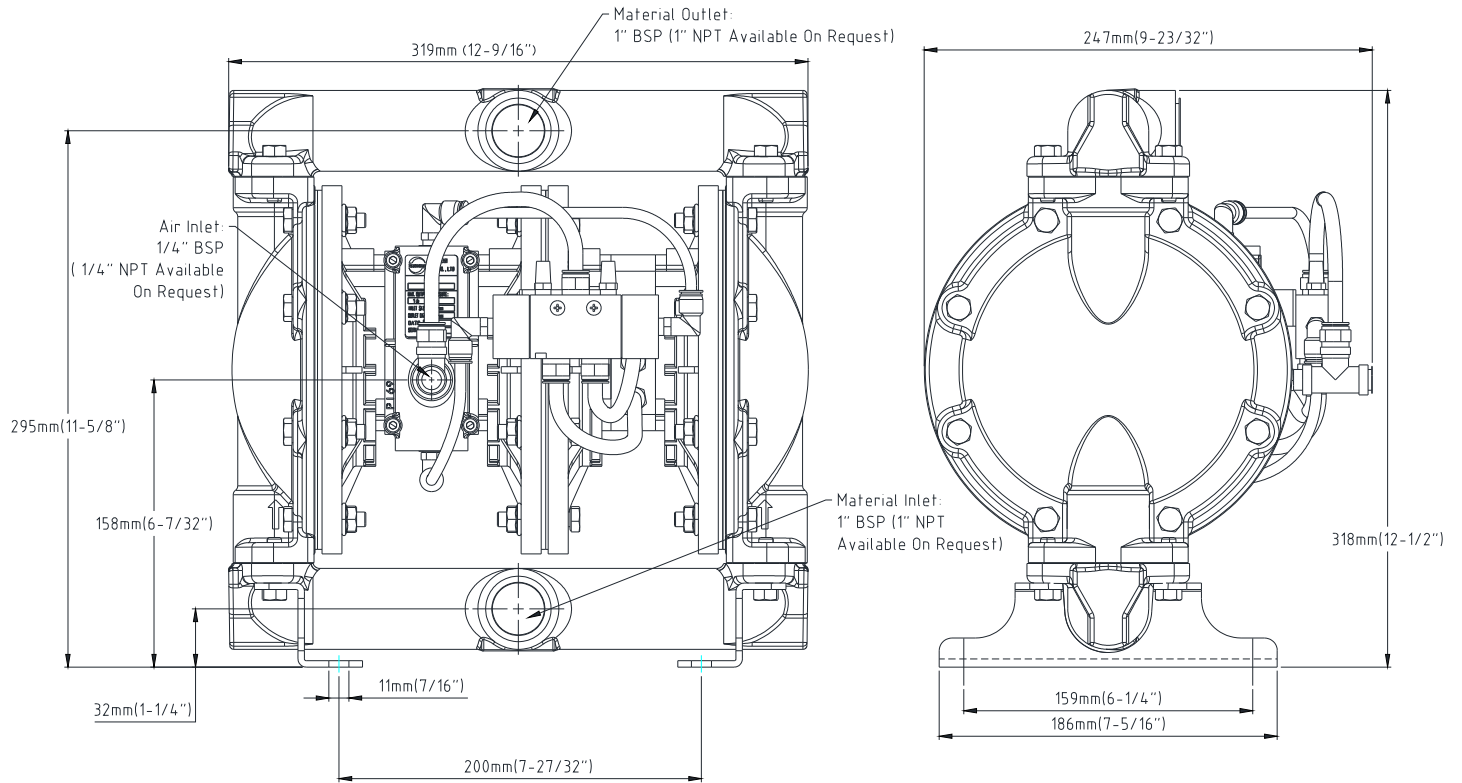


SALES & ENGINEERING DATA

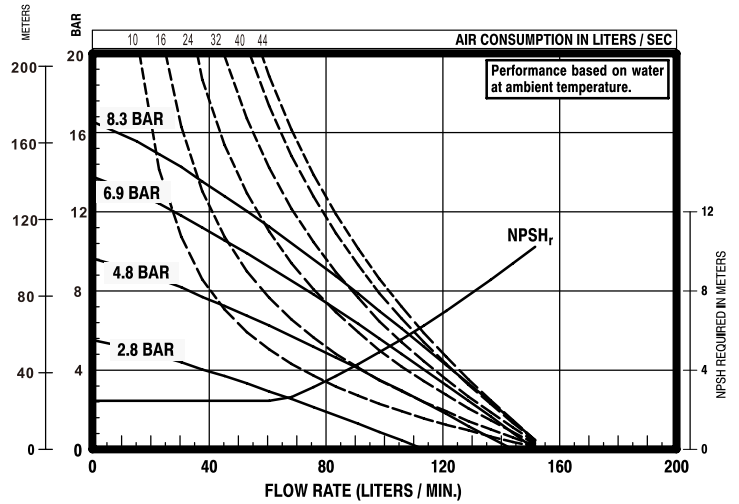
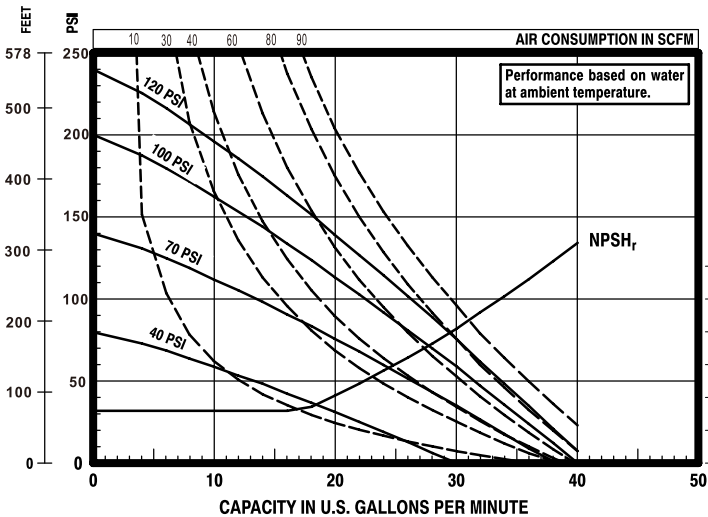
1" TRIPLE DIAPHRAGM PUMP(2:1 Ratio Pressure)

MODEL:DP32-25XXXXXXX

DIMENSIONS:



PERFORMANCE CURVE:



ACCESSORIES:

Service Repair Kits:

DP32-Air25(air section)

DP32-Flu25 - XX(fluid section)

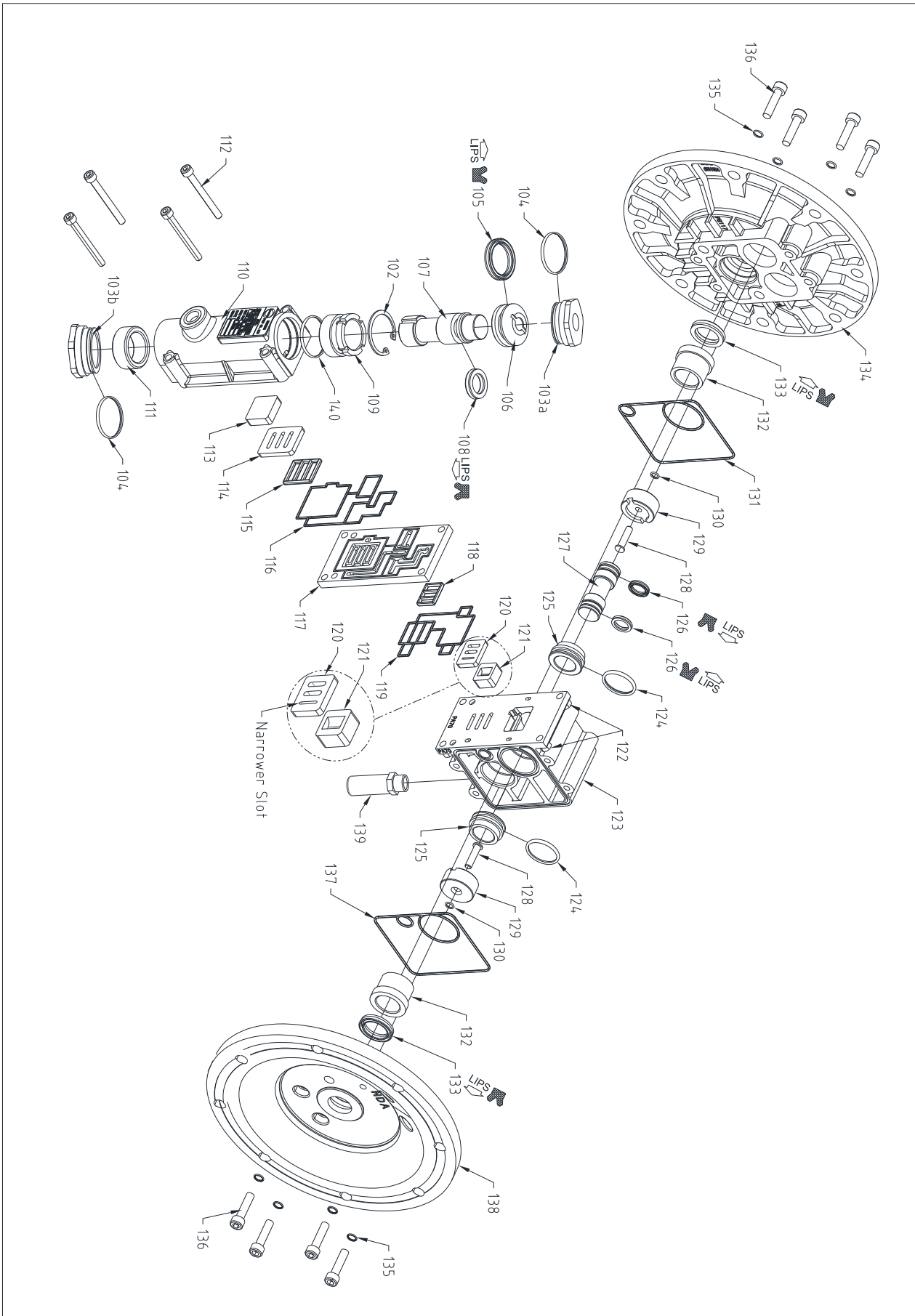
- Diaphragm Material
- Ball Material

1" TRIPLE DIAPHRAGM PUMP(2:1 Ratio Pressure)

1" TRIPLE DIAPHRAGM PUMP(2:1 Ratio Pressure)

MODEL:DP32-25XXXXXXX

Exploded View Of Air Motor Section





SALES & ENGINEERING DATA

1" TRIPLE DIAPHRAGM PUMP(2:1 Ratio Pressure)

MODEL:DP32-25XXXXXXX

Parts List Of Air Motor Section

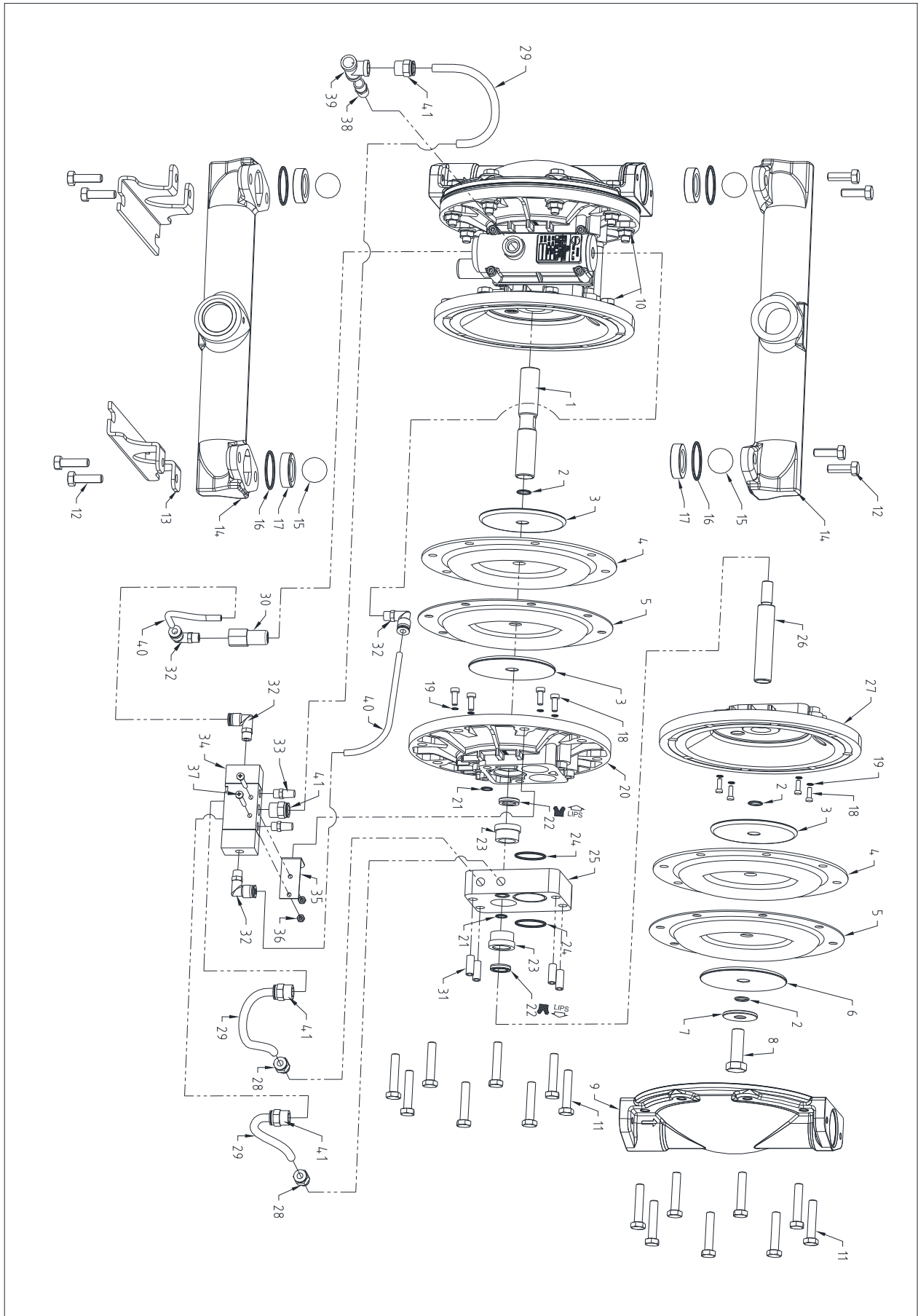
Position number	Description	Part Number	Material	Quantity
102	Retaining Ring 32	NDA-PN120	Stainless Steel ANSI 304	1
103a	Air Valve Cap	NDA-PJ73	Aluminum	1
103b	Air Valve Cap	NDA-PJ69	Aluminum	1
104	O-Ring 30*1.5 (ID*Sec)	NDA-PY27	Nitrile	2
105	Y-type Ring 32*24*4.5	NDA-PW22	Nitrile	1
106	Piston	NDA-PK141	POM	1
107	Spool	NDA-PK142	POM	1
108	Y-type Ring 23*15*4.5	NDA-PW29	Nitrile	1
109	Guide Bush	NDA-PK143	POM	1
110	Air Valve Body	NDA-PI69	Aluminum	1
111	Guide Bush	NDA-PK144	POM	1
112	Screw M5*50	NDA-PX72	Carbon Steel	4
		NDA-PX73	Stainless Steel ANSI 304	4
113	Bigger Valve Insert	NDA-PK168	Ceramic	1
114	Bigger Valve Plate	NDA-PK169	Ceramic	1
115	Gasket	NDA-PK170	Nitrile	1
116	Gasket	NDA-PK171	Nitrile	1
117	Adapter Plate	NDA-PK172	Aluminum	1
118	Gasket	NDA-PK173	Nitrile	1
119	Gasket	NDA-PK174	Nitrile	1
120	Valve Plate	NDA-PK175	Ceramic	1
121	Valve Insert	NDA-PK176	Ceramic	1
122	Nut M5	NDA-PX74	Carbon Steel	4
		NDA-PX75	Stainless Steel ANSI 304	4
123	Center Block	NDA-PA74	Aluminum	1
124	O-Ring 22*2.5 (ID*Sec)	NDA-PY28	Nitrile	2
125	Guide Bush	NDA-PK177	POM	2
126	Y Type Seal 17*10*4	NDA-PW30	Nitrile	2
127	Spool	NDA-PK178	POM	1
128	Pilot Pin	NDA-PK179	Stainless Steel ANSI 304	2
129	Retainer Ring	NDA-PK180	POM	2
130	O-Ring 5*1.5 (ID*Sec)	NDA-PY16	Nitrile	2
131	Gasket	NDA-PF88	Nitrile	1
132	Bush	NDA-PG71	POM	2
133	Y Type Seal 27*19*4.5	NDA-PW31	Nitrile	2
134	Left Air Cap	NDA-PB117	Aluminum	1
135	O-Ring 6*1.5 (ID*Sec)	NDA-PY29	Nitrile	8
136	Screw M6*25	NDA-PX76	Carbon Steel	8
		NDA-PX77	Stainless Steel ANSI 304	8
137	Gasket	NDA-PF89	Nitrile	1
138	Right Air Cap	NDA-PB118	Aluminum	1
139	Muffler	93110		1
140	O-Ring 32*2 (ID*Sec)	NDA-PY30	Nitrile	1

1" TRIPLE DIAPHRAGM PUMP(2:1 Ratio Pressure)

1" TRIPLE DIAPHRAGM PUMP(2:1 Ratio Pressure)

MODEL:DP32-25XXXXXXX

Exploded View Of Fluid Section



1" TRIPLE DIAPHRAGM PUMP(2:1 Ratio Pressure)



SALES & ENGINEERING DATA

1" TRIPLE DIAPHRAGM PUMP(2:1 Ratio Pressure)

MODEL:DP32-25XXXXXXX

Parts List Of Fluid Section

Position number	Description	Part number	Material	Quantity
1	Rod	NDA-PD77	Stainless Steel ANSI 304	1
2	O-Ring	Y328-14	PTFE	5
3	Washer-Air Side	93441-2	Carbon Steel	4
4	Backer Diaphragm	92973-B	Santoprene(Green)	3
5	Diaphragm	90533-1	Neoprene	3
		90533-2	Nitrile	3
		90533-3	Viton	3
		93459-4	PTFE	3
		90533-B	Santoprene(Yellow)	3
6	Washer-Fluid Side	93441-1	Stainless Steel ANSI 304	2
7	Washer	NDA-PN70	Stainless Steel ANSI 304	2
8	Bolt M12x1.25x35	NDA-PX20	Stainless Steel ANSI 304	2
9	Fluid Cap	97615	Stainless Steel ANSI 316	2
		94277	Cast Iron	2
10	Nut M8	NDA-PX11	Carbon Steel	24
		NDA-PX12	Stainless Steel ANSI 304	24
11	Bolt M8x40	NDA-PX23	Carbon Steel	24
		NDA-PX24	Stainless Steel ANSI 304	24
12	Bolt (5/16" -18 x1")	Y6-55-C	Carbon Steel	8
		Y6-55-T	Stainless Steel ANSI 304	8
13	Leg	NDA-PN119	Carbon Steel	2
		NDA-PN118	Stainless Steel ANSI 304	2
14	Manifold	PC152	Stainless Steel ANSI 316	2
		PC153	Cast Iron	2
15	Ball (25.4mm)	90532-1	Neoprene	4
		90532-2	Nitrile	4
		90532-3	Viton	4
		90532-4	PTFE	4
		90948	SS316	4
16	O-Ring 34.6*2.7 (id*sec)	90532-A	Santoprene(Yellow)	4
		Y325-126	Nitrile	4
		Y327-126	Viton	4
		Y328-126	PTFE	4
		90534	E.P.R.	4
17	Seat	90428-1	Stainless Steel ANSI 316	4
		95675-1	Carbon Steel	4
18	Screw M6x20	PX85	Carbon Steel	8
		PX86	Stainless Steel ANSI 304	8
19	O-Ring 6*1.2 (ID*Sec)	NDA-PY29	Nitrile	8
20	Air Cap	NDA-PB117	Aluminum	1
21	O-Ring 14*1.5 (od*sec)	NDA-PY39	Nitrile	2
22	Y-type Ring 27*19*4.5	NDA-PW31	Nitrile	2
23	Bush	NDA-PG72	POM	2
24	O-Ring 34*1.5 (od*sec)	NDA-PY40	Nitrile	2
25	Block	NDA-PA73	Aluminum	1
26	Rod	NDA-PD80	Stainless Steel ANSI 304	1
27	Air Cap	NDA-PB118	Aluminum	1
28	Pneumatic fittings	NDA-PZ101	Pneumatic fittings	2
29	? 8 Tube	NDA-PZ102		3
30	Pneumatic fittings	NDA-PZ136	Brass	1
31	Rod	NDA-PN130	Stainless Steel ANSI 304	4
32	Pneumatic fittings	NDA-PZ125	Pneumatic fittings	4
33	1/8" Muffler	NDA-PZ170	Pneumatic fittings	2
34	Pneumatic Valve	4A220-08(SNS)	Pneumatic fittings	1
35	Support	NDA-PN168	Stainless Steel ANSI 304	1
36	Nut M4	NDA-PX89	Stainless Steel ANSI 304	2
37	Screw M4x30	NDA-PX96	Stainless Steel ANSI 304	2
38	Nipple	NDA-PZ169	Stainless Steel ANSI 304	1
39	Tee	NDA-PZ168	Stainless Steel ANSI 304	1
40	? 6 Tube	NDA-PZ174		2
41	Pneumatic fittings	NDA-PZ175	Pneumatic fittings	4

1" TRIPLE DIAPHRAGM PUMP(2:1 Ratio Pressure)