

3" WA METALLIC Models

MODEL: WA30X-XXX and WA32X-XXX

SPECIFICATIONS:

Air Inlet(female): 3/4"BSPT(3/4"NPT Available On Request)

Fluid Outlet(female): 3"BSPT Or 3"NPT

Fluid Inlet(female): 3"BSPT Or 3"NPT

Maximum Flow Rate: 237GPM(897 LPM)

Max. Operating Pressure: 120psi(8.3bar)

Suspended Solids Max. Dia.: 3/8"(9.5mm)

Maximum Dry Suction Lift: 17.6feet(5.4m)

Weight:WA3X0-XXX-C 109.8 lbs(49.8kg)

WA3X1-XXX-C 222.2 lbs(100.8kg)

WA3X2-XXX-C 213.1 lbs(96.7kg)

Displacement Per Cycle: 2.65Gallons(10.03Liters)

Sound Level:70psi 60 cycles/min. 86.3db(A)



MODEL DESCRIPTION & ORDERING:

Position	1	2		3	4	5		
Example	WA3X	X	-	X	X	X		

Position 1	Position 2	Position 3	Position 4	Position 5
Center Body	Fluid Caps Manifold Mat.	Seat Material	Ball Check Material	Diaphragm Material
0-Aluminum,NPT	0-Aluminum(steel hardware)	1-Aluminum		
	1-SS(steel hardware)	2-316 Stainless Steel	2-Nitrile	2-Nitrile
2-Aluminum,BSP	2-Cast Iron(steel hardware)			
		4-PVDF(Kynar)	4-PTFE	4-PTFE/Santoprene
	A-Aluminum,(stainless hardware)	5-Carbon Steel	A-Stainless Steel	
	B-SS(stainless hardware)	8-Hard Stainless Steel	C-Hytrel	6-Composite PTFE
	C-Cast Iron(stainless hardware)	9-Hytrel	E-Santoprene	9-Hytrel
		E-Santoprene		B-Santoprene
		G-Nitrile		G-Nitrile

ACCESSORIES:

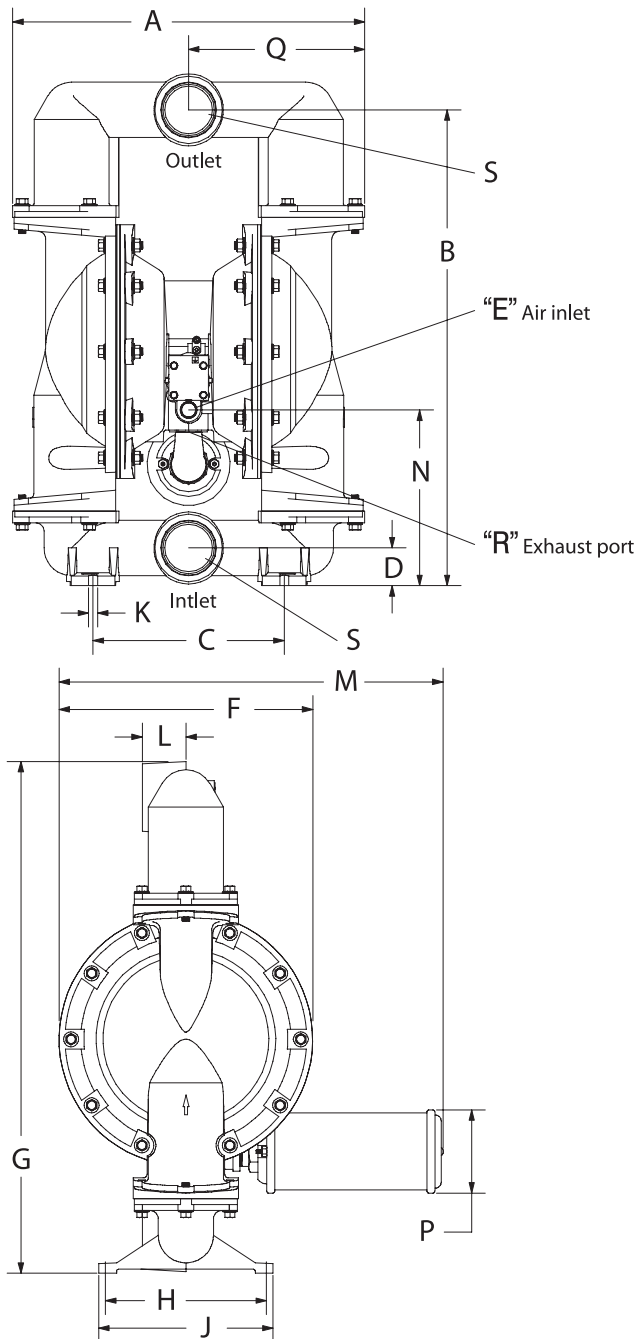
Service Repair Kit | WA637434(air section)

WA637433-XX(fluid section)

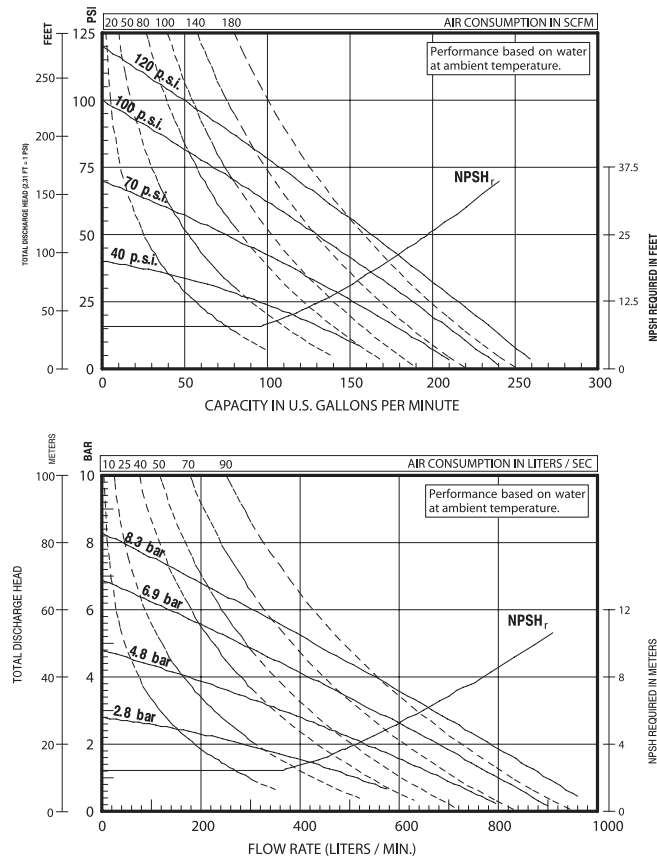
3" WA METALLIC Models

MODEL: WA30X-XXX and WA32X-XXX

DIMENSIONS:



PERFORMANCE CURVE:



DIMENSIONS

A 22-7/32" (563.9 mm)	G 32-9/32" (819.8 mm)	N 11-3/32" (281.4 mm)
B 30" (762.0 mm)	H 10-5/32" (258.0 mm)	P 5-1/4" (133.4 mm)
C 12-1/16" (306.4 mm)	J 11" (279.4 mm)	Q 11-1/8" (281.9 mm)
D 2-3/8" (60.3 mm)	K 9/16" (14.3 mm)	R 1-1/4 - 11-1/2N.P.T.F.-1
E 3/4 - 14 N.P.T.F. - 1	L 2-3/4" (69.9 mm)	S (see below)
F 16" (406.4 mm)	M 24-7/16" (620.7 mm)	

"S" Inlet / Outlet

WA30-XXX-C NPT 3"

WA32-XXX-C Rp 3 (3 - 11 BSP parallel)