

1" WB METALLIC Models MODEL: WB10X-XXX-XXX

SPECIFICATIONS:

| | |
|---|--------------------------------------|
| Ratio: | 1:1 |
| Maximum GPM (LPM): | 52 (197) |
| Displacement per cycle Gallons (Liters): | 0.232 (0.88) |
| Air Inlet (Female): | 1/4 - 18 N.P.T. |
| Fluid Inlet/Outlet: | 1 - 11-1/2 N.P.T.F.-1, Rp1(1-11 BSP) |
| Max. operating pressure psi (bar): | 120 (8.3) |
| Suspended solids max. dia. in. (mm): | 1/8" (3.3) |
| Weight lbs (kg): | |
| PX10R-XAX-XXX | 20.7 (9.4) |
| PX10R-XCX-XXX | 35.2 (16.0) |
| PX10R-XHX-XXX | 39.6 (18.0) |
| PX10R-ASX-XXX, | 38.2 (17.3) |
| PX10R-BSX-XXX | |
| PX10R-FSX-XXX | 43.9 (19.9) |
| Note: Add 4.65 lbs (2.11 kg) for aluminum air motor | |
| Add 11.09 lbs (5.03 kg) for stainless steel air motor | |
| Maximum dry suction lift ft(m): | 19 (5.7) |
| Sound Level: | 70 PSI 60 Cycles/Min 80.6 db |



MODEL DESCRIPTION & ORDERING:

| Position | 1 | 2 | | 3 | 4 | 5 | | 6 | 7 | 8 | | | | |
|----------|------|---|---|---|---|---|---|---|---|---|--|--|--|--|
| Example: | WB10 | X | - | X | X | X | - | X | X | X | | | | |

| Position 1 Model Series | Position 2 Center Section | Position 3 Connections | Position 4 Wetted Parts | Position 5 Hardware | Position 6 Seat Material | Position 7 Ball Material | Position 8 Diaphragm Material |
|----------------------------|---|---|--|----------------------------|--|---|---|
| WB10- Standard Pump | A - Aluminum* R - Poly-propylene S - Stainless Steel* | A - NPTF Thread B - BSP Thread F - 1" ANSI/DIN Hybrid End Flange with Flat Face | A - Aluminum* C - Cast Iron H - Hastelloy-C* S - Stainless Steel* | P - Plated Steel S - SS | A - Santoprene® C - Hytrel® E - Carbon Steel F - Aluminum G - Nitrile H - 440 SS L - Hastelloy-C S - 316 SS | A - Santoprene® C - Hytrel® G - Nitrile S - 316 SS T - PTFE V - Viton® | A - Santoprene® C - Hytrel® G - Buna- N L - Long-Life PTFE T - PTFE/Santoprene® V - Viton® |

Hytrel® is a registered trademark of DuPont company, Santoprene® is registered trademark of Monsanto and Viton® is a registered trademark of ExxonMobil

Accessories

Service Repair Kits:

AIR SECTION: WB637397;

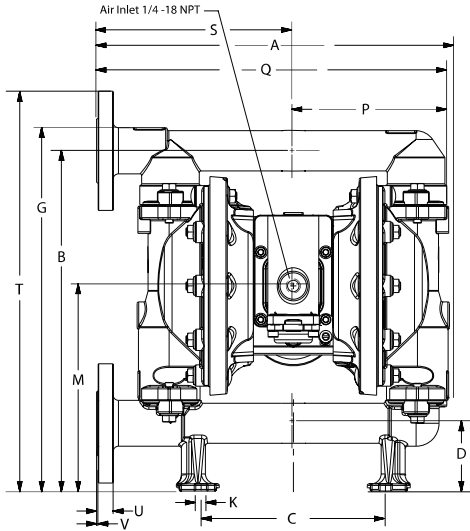
FLUID SECTION: WB637401-XXX(with seats);

MAJOR AIR VALVE ASSEMBLY: WB637395-X;

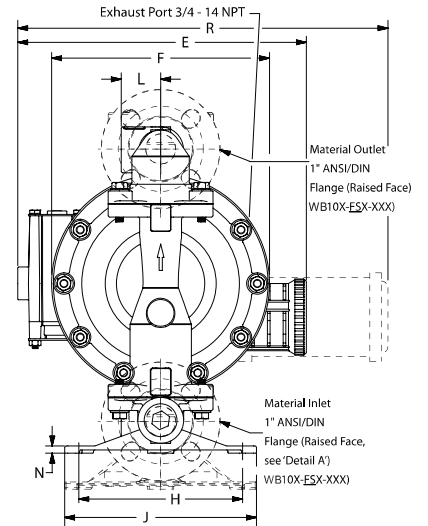
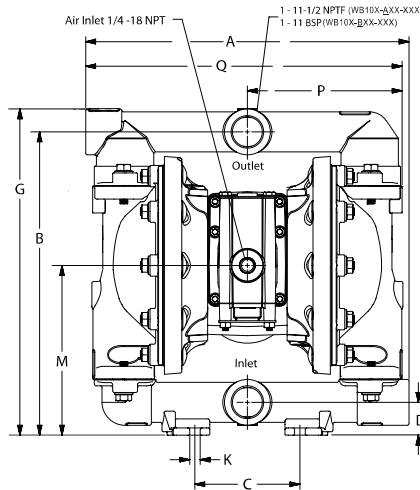
1" WB METALLIC Models

MODEL: WB10X-XXX-XXX

DIMENSIONS:



WB10X-FSX-XXX



| | | | |
|-----------------------|-----------------------|----------------------|------------------------------|
| A - 12.34" (313.4 mm) | E - see below | J - 7.31" (185.6 mm) | N - see below |
| B - 11.56" (293.6 mm) | F - see below | K - 0.4" (10.1 mm) | P - 5.84" (148.3 mm) |
| C - 4" (101.6 mm) | G - 12.43" (315.7 mm) | L - 1.5" (38.1 mm) | Q - 12" (304.8 mm) |
| D - 1.25" (31.7 mm) | H - 6.25" (158.7 mm) | M - 6.46" (164.0 mm) | R - see below |
| WB10A-XXX-XXX | "E" | "F" | "N" |
| WB10R-XXX-XXX | 11.09" (281.6 mm) | 8.12" (206.2 mm) | WB10X-XAX-XXX 0.25" (6.3 mm) |
| WB10S-XXX-XXX | 8.31" (211.0 mm) | 14.03" (356.3 mm) | WB10X-XCX-XXX 0.28" (7.1 mm) |
| | 8.18" (207.7 mm) | 13.84" (351.5 mm) | WB10X-XHX-XXX 0.28" (7.1 mm) |
| | | | WB10X-XSX-XXX 0.28" (7.1 mm) |

WB10X-FSX-XXX

| | | | | |
|-----------------------|-----------------------|----------------------|-----------------------|-----------------------|
| A - 13.37" (339.5 mm) | D - 2.57" (65.2 mm) | M - 7.79" (197.8 mm) | Q - 13.30" (337.8 mm) | T - 15.19" (385.8 mm) |
| B - 12.92" (328.1 mm) | G - 13.80" (350.5 mm) | N - 9/32" (7.1 mm) | R - 13.83" (351.2 mm) | U - 0.63" (16.0 mm) |
| C - 7" (177.8 mm) | K - 0.4" (10.1 mm) | P - 5.83" (148.0 mm) | | V - 0.60" (15.2 mm) |

PERFORMANCE CURVE:

