

## 3" WB NON-METALLIC Models MODEL: WB30P-XXS-XXX

### SPECIFICATIONS:

Ratio	1:1
Maximum GPM (LPM):	285 GPM (1079 LPM)
Air Inlet:	3/4-14 NPT
Fluid Inlet / Outlet	3" DIN/ANSI Flange
Max. operating pressure psi (bar):	120 psi (8.3 Bar)
Suspended solids max. dia. in. (mm):	3/8" (9.5mm)
Weight lbs (kg):	Polypropylene 170 lbs (77.11 kg) PVDF 242 lbs (109.77 kg)
Maximum dry suction lift ft (m):	20.5 ft. (6.3m)
Sound Level:	70 PSI 60 Cycles/Min. 85.3 db(A)
Muffler Included:	67389



### MODEL DESCRIPTION & ORDERING:

Position	1	2		3	4	5		6	7	8				
Example:	<b>WB30</b>	<b>P</b>	-	<b>X</b>	<b>X</b>	<b>S</b>	-	<b>X</b>	<b>X</b>	<b>X</b>				
Position 1 Model Series	Position 2 Center Section	Position 3 Connections	Position 4 Wetted Parts	Position 5 Hardware	Position 6 Seat Material	Position 7 Ball Material	Position 8 Diaphragm Material							
WB30- Standard Pump	P - Polypropylene	D - 3" ANSI 4-hole flange F - 3" DIN 8-hole flange	K - PVDF P - Polypropylene	S - SS	K - PVDF P - Polypropylene	A - Santoprene® C - Hytrel® G - Buna- N T - PTFE V - Viton®	A - Santoprene® C - Hytrel® G - Buna- N L - Long-Life PTFE T - PTFE/Santoprene®							

Hytrel® and Viton® are registered trademarks of the DuPont company. Santoprene® is a registered trademark of Monsanto Company, licensed to Advanced Elastomer Systems, L.P.

### Accessories

**Service Repair Kits:**

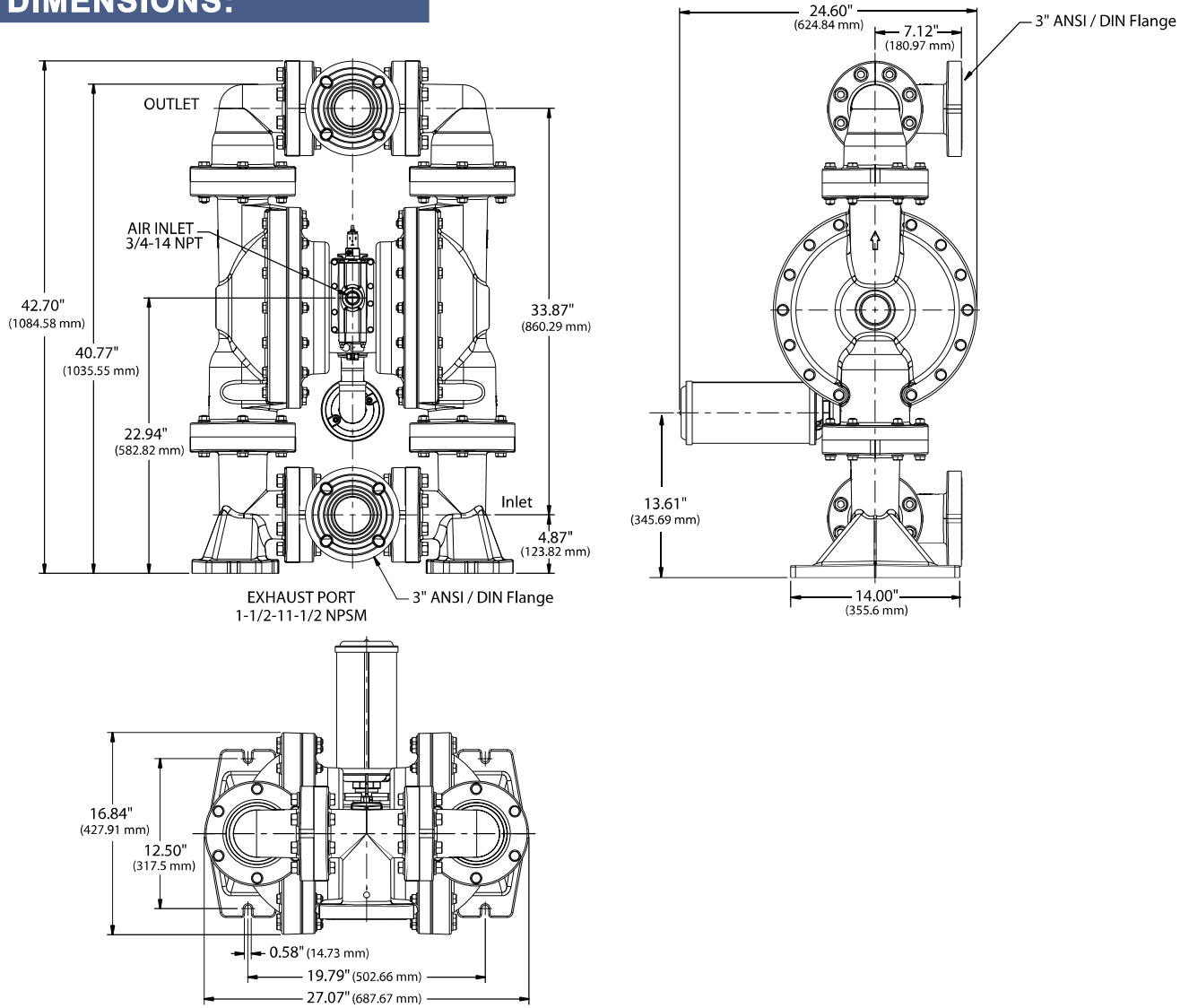
**AIR MOTOR: WB637369;**

**FLUID SECTION: WB637447-XX;**

**MAJOR AIR VALVE ASSEMBLY: WB637374;**

## 3" WB NON-METALLIC Models MODEL: WB30P-XXS-XXX

### DIMENSIONS:



### PERFORMANCE CURVE:

