

2" WA NON-METALLIC Models

MODEL: WA2A3-XXX

SPECIFICATIONS:

Air Inlet(female): 1/2"BSPT(1/2"NPT Available On Request)

Fluid Outlet(female): 2" ANSI/DIN Flange

Fluid Inlet(female): 2" ANSI/DIN Flange

Maximum Flow Rate: 145GPM(548.8LPM)

Max. Operating Pressure: 120psi(8.3bar)

Suspended Solids Max. Dia.: 1/4"(6.4mm)

Maximum Dry Suction Lift: 14feet(4.27m)

Sound Level:70psi 60 cycles/min. 77.7db(A)



MODEL DESCRIPTION & ORDERING:

Position	1	2		3	4	5		
Example	WA2X	X	-	X	X	X		

Position 1 Center Body	Position 2 Fluid Caps Manifold Mat.	Position 3 Seat Material	Position 4 Ball Check Material	Position 5 Diaphragm Material
A - Aluminum B - Cast Iron	3 - Polypropylene Flange (3-piece manifold) 4-P.V.D.F	2 - 316 Stainless Steel 3 - Polypropylene 4 - PVDF (Kynar) 8 - Hard 400 Stainless Steel	1 - Neoprene 2 - Nitrile 3 - Polypropylene 4 - PTFE 5 - E.P.R. 8 - Polyurethane C - Hytel E - Santoprene	1 - Neoprene 2 - Nitrile 3 - Viton 4 - PTFE/Santoprene 5 - E.P.R. 6 - Composite PTFE 9-Hytel B-Santoprene

ACCESSORIES:

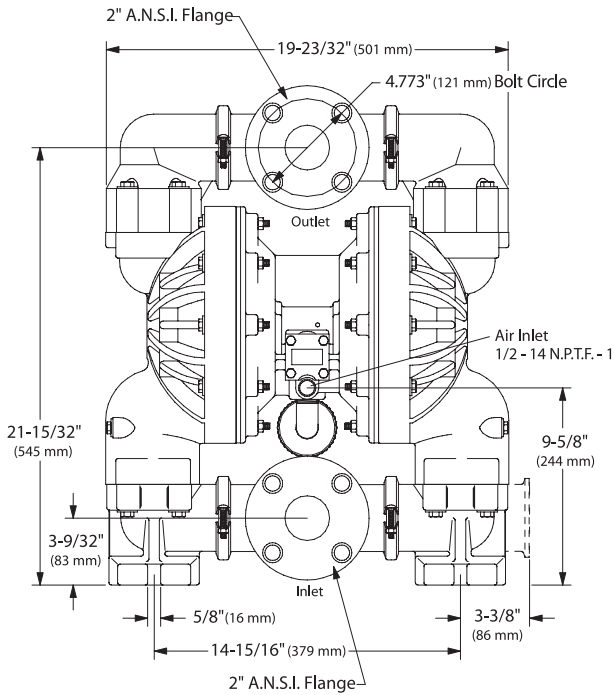
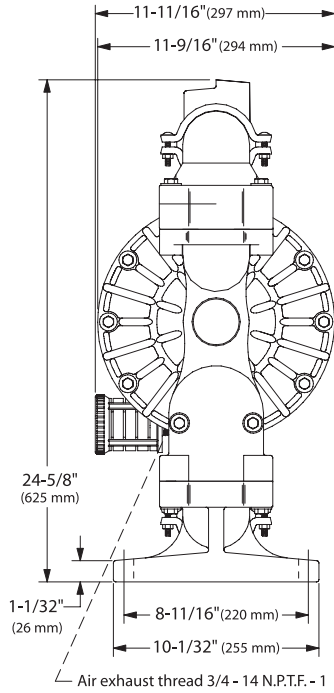
Service Repair Kit | WA637118-C(air section)

WA637165-XX-C(fluid section)

2" WA NON-METALLIC Models MODEL: WA2A3-XXX

DIMENSIONS:

All dimensions are given in inches and millimeters (mm).



PERFORMANCE CURVE:

