

## 1-1/2" WA NON-METALLIC Models

MODEL: WA1T3-XXX

### SPECIFICATIONS:

**Air Inlet(female):** 1/2"BSPT(1/2"NPT Available On Request)

**Fluid Outlet(female):** 1-1/2" ANSI/DIN Flange

**Fluid Inlet(female):** 1-1/2" ANSI/DIN Flange

**Maximum Flow Rate:** 100GPM(378.5LPM)

**Max. Operating Pressure:** 120psi(8.3bar)

**Suspended Solids Max. Dia.:** 1/4"(6.4mm)

**Maximum Dry Suction Lift:** 14feet(4.27m)

**Sound Level:**70psi 60 cycles/min. 77.7db(A)



### MODEL DESCRIPTION & ORDERING:

Position	1	2		3	4	5		
<b>Example</b>	<b>WA1X</b>	<b>X</b>	-	X	X	X		

Position 1 Center Body	Position 2 Fluid Caps Manifold Mat.	Position 3 Seat Material	Position 4 Ball Check Material	Position 5 Diaphragm Material
T - Aluminum U - Cast Iron	3 - Polypropylene Flange (3-piece manifold) 4 - P.V.D.F (Kynar)	2 - 316 Stainless Steel 3 - Polypropylene 4 - PVDF (Kynar) 8 - Hard 400 Stainless Steel	1 - Neoprene 2 - Nitrile 3 - <b>Viton</b> 4 - PTFE 5 - E.P.R. 8 - Polyurethane C - Hytrel E - Santoprene	1 - Neoprene 2 - Nitrile 3 - Viton 4 - PTFE/Santoprene 5 - E.P.R. 6 - Composite PTFE 9-Hytrel B-Santoprene

### ACCESSORIES:

Service Repair Kit | WA637118-C(air section)

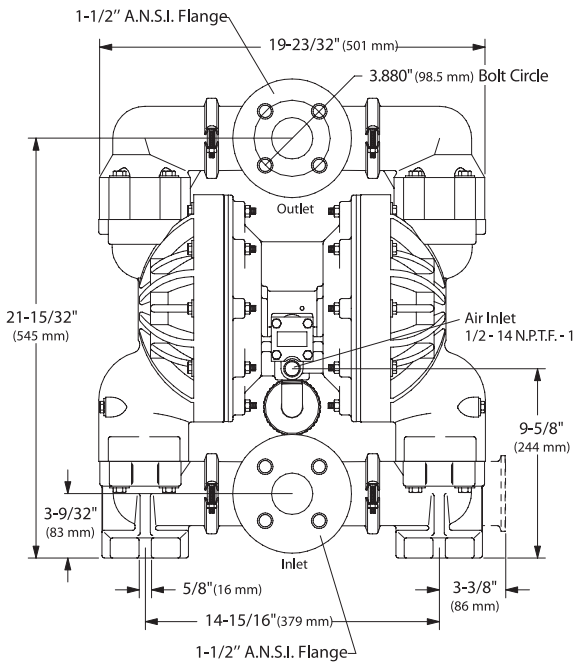
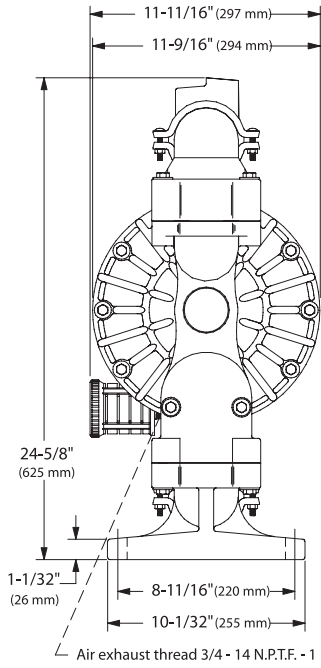
WA637165-XX-C(fluid section)

# 1-1/2" WA NON-METALLIC Models

## MODEL: WA1T3-XXX

### DIMENSIONS:

All dimensions are given in inches and millimeters (mm).



### PERFORMANCE CURVE:

