

1-1/2" WA METALLIC Models

MODEL: WA15X-XXX THRU WA18X-XXX

SPECIFICATIONS:

Air Inlet(female): 1/2"BSPT(1/2"NPT Available On Request)

Fluid Outlet(female): 1-1/2"BSPT Or 1-1/2"NPT

Fluid Inlet(female): 1-1/2"BSPT Or 1-1/2"NPT

Maximum Flow Rate: 90GPM(340.7LPM)

Max. Operating Pressure: 120psi(8.3bar)

Suspended Solids Max. Dia.: 1/4"(6.4mm)

Maximum Dry Suction Lift: 19feet(5.8m)

Weight:WA150-X-C(aluminum)51.5 lbs(23.4kg)

WA151-X-C(stainless steel)84.5 lbs(38.3kg)

WA152-X-C(Cast Iron)79.5 lbs(36.1kg)

Displacement Per Cycle: 0.64Gallons(2.42Liters)

Sound Level:70psi 60 cycles/min. 80.5db(A)



MODEL DESCRIPTION & ORDERING:

Position	1	2		3	4	5		
Example	WA1X	X	-	X	X	X		

Position 1 Center Body	Position 2 Fluid Caps Manifold Mat.	Position 3 Seat Material	Position 4 Ball Check Material	Position 5 Diaphragm Material
5-Aluminum,NPT	0-Aluminum(steel hardware)	1-Aluminum	1-Neoprene	1-Neoprene
6-Cast Iron, NPT	1-SS(steel hardware)	2-316 Stainless Steel	2-Nitrile	2-Nitrile
7-Aluminum,BSP	2-Cast Iron(steel hardware)	3-Polypropylene	3-Viton	3-Viton
8-Cast Iron,BSP		4-PVDF(Kynar)	4-PTFE	4-PTFE/Santoprene
	A-Aluminum,(stainless hardware)	5-Carbon Steel	5-E.P.R.	5-E.P.R.
	B-SS(stainless hardware)	8-Hard 400 Stainless Steel	6-Acetal	6-Acetal
	C-Cast Iron(stainless)		8-Polyurethane	9-Hytrel
			A-Stainless Steel	B-Santoprene
			C-Hytrel	
			E-Santoprene	

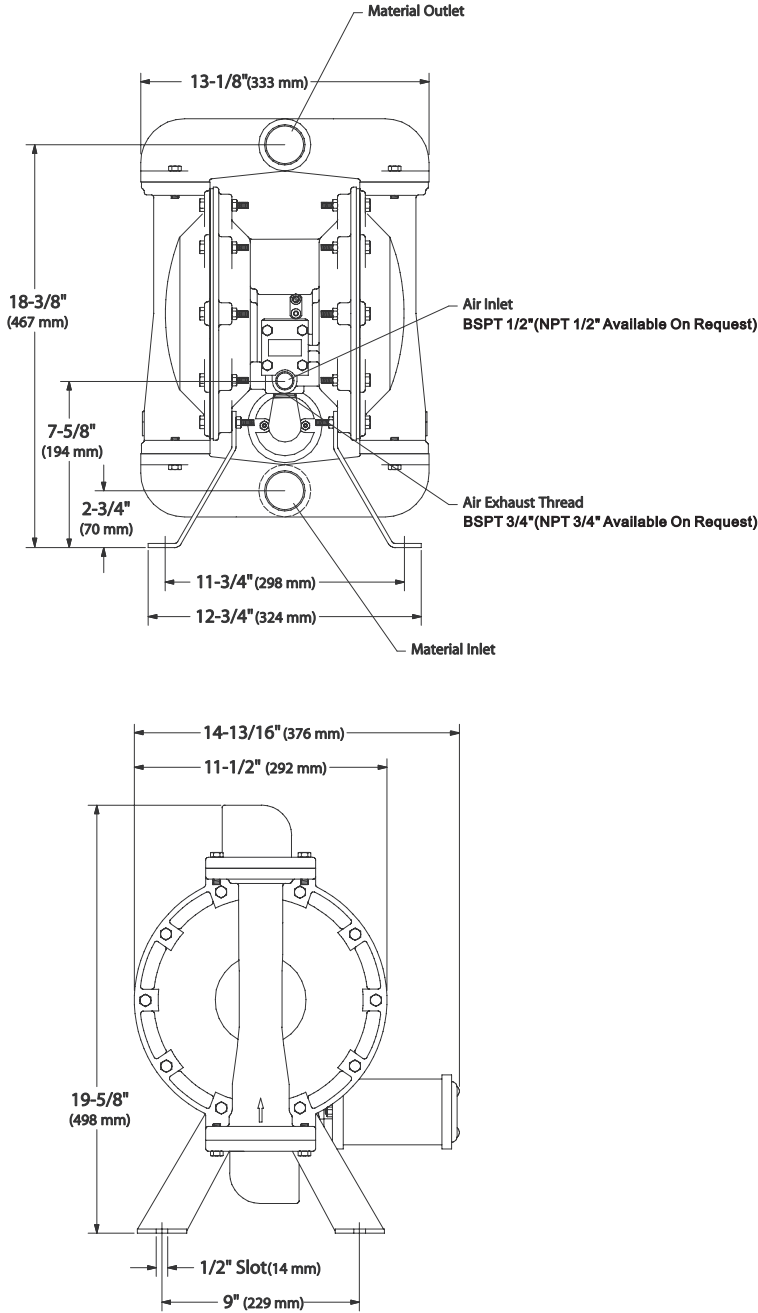
ACCESSORIES:

Service Repair Kit | WA637118-C(air section)
WA637124-XX(fluid section)

1-1/2" WA METALLIC Models

MODEL: WA15X-XXX THRU WA18X-XXX

DIMENSIONS:



PERFORMANCE CURVE:

