

1" WA NON-METALLIC Models

MODEL: WA1XX-XXX

SPECIFICATIONS:

Air Inlet(female): 1/4"BSPT(1/4"NPT Available On Request)

Fluid Outlet(female): Rp1", 1"NPT , Or 1" ANSI/DIN Flange

Fluid Inlet(female): Rp1", 1"NPT , Or 1" ANSI/DIN Flange

Maximum Flow Rate: 47GPM(177.9LPM)

Max. Operating Pressure: 120psi(8.3bar)

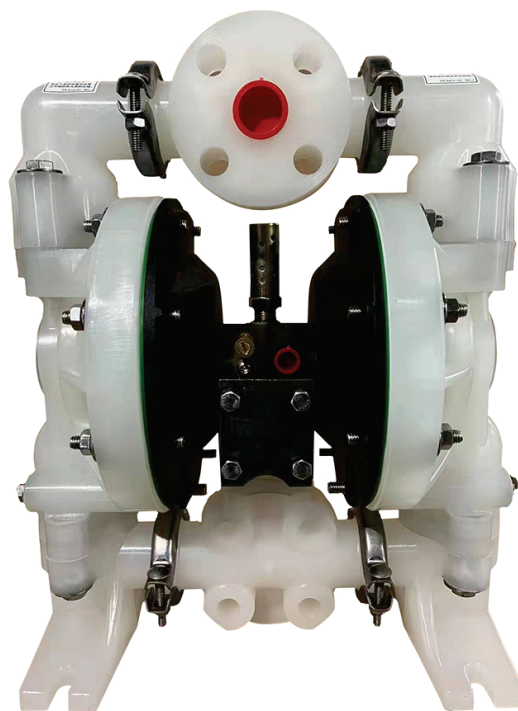
Suspended Solids Max. Dia.: 1/8"(3.2mm)

Maximum Dry Suction Lift: 15feet(4.6m)

Weight: polypropylene 20.3 lbs(9.2kg)

PVDF 26.2 lbs(11.9kg)

Sound Level:70psi 60 cycles/min. 64.5db(A)



MODEL DESCRIPTION & ORDERING:

Position	1	2		3	4	5		
Example:	WA1X	X	-	X	X	X		

Position 1 Center Body	Position 2 Fluid Caps Manifold Mat.	Position 3 Seat Material	Position 4 Ball Check Material	Position 5 Diaphragm Material
A - Aluminum B - Cast Iron	3 - Polypropylene Flange (3-piece manifold) 4- PVDF Flange (3-Piece manifold) F - Polypropylene Flange (one-piece manifold) J - Polypropylene N.P.T. threads (one piece manifold) L - Polypropylene BSP threads (one-piece manifold)	2 - 316 Stainless Steel 3 - Polypropylene 4 - PVDF (Kynar) Hard 400 Stainless Steel	1 - Neoprene 2 - Nitrile 4 - PTFE 5 - E.P.R. 8 - Polyurethane A - 316 Stainless Steel C - Hytel E - Santoprene M - Medical Grade Santoprene	1 - Neoprene 2 - Nitrile 4-PTFE/Santoprene 5 - E.P.R. 6 - Composite PTFE M - Medical Grade B- Santoprene

ACCESSORIES:

Service Repair Kit | WA637118-C(air section)

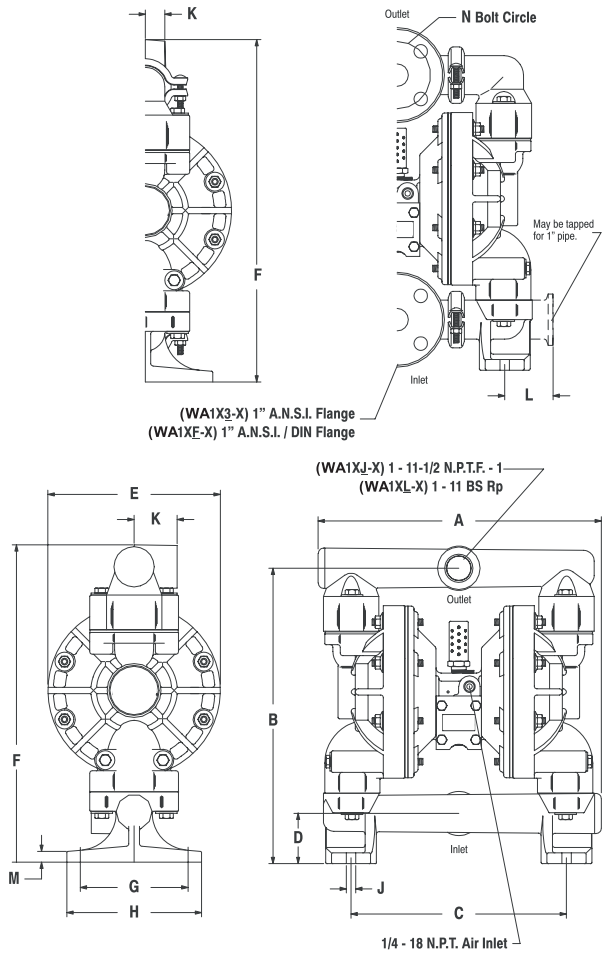
WA637161-XX-C(fluid section)

1" WA NON-METALLIC Models

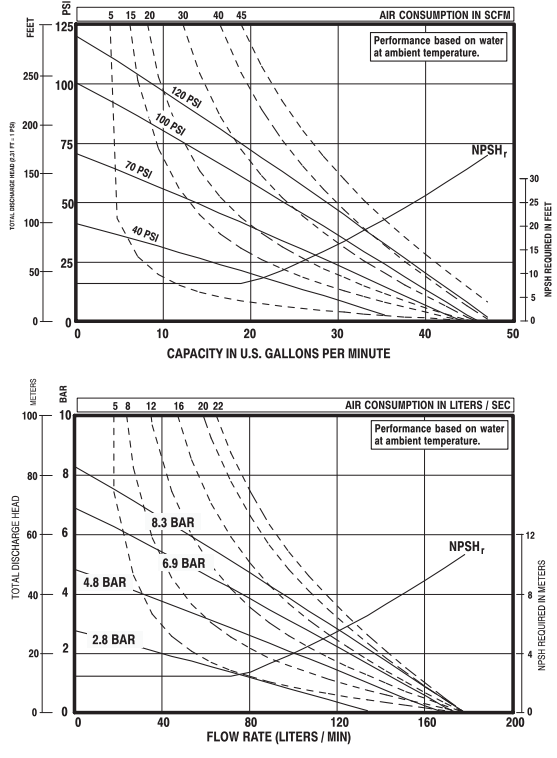
MODEL: WA1XX-XXX

DIMENSIONS:

PERFORMANCE CURVE:



DIMENSIONS



	WA1X3-X	WA1XJ-X WA1XL-X	WA1XF-X
A	12-21/32" (321 mm)	13-5/32" (334 mm)	13-5/32" (334 mm)
B	13-25/32" (349 mm)	13-25/32" (350 mm)	13-25/32" (350 mm)
C	10-1/16" (255 mm)	10-1/16" (255 mm)	10-1/16" (255 mm)
D	2-3/8" (60 mm)	2-11/32" (59 mm)	2-11/32" (59 mm)
E	8-1/16" (204 mm)	8-1/16" (204 mm)	8-1/16" (204 mm)
F	16" (406 mm)	14-13/16" (376 mm)	16" (406 mm)
G	5-1/32" (128 mm)	5-1/32" (128 mm)	5-1/32" (128 mm)
H	6-9/32" (160 mm)	6-9/32" (160 mm)	6-9/32" (160 mm)
J	7/16" (11 mm)	7/16" (11 mm)	7/16" (11 mm)
K	15/16" (23 mm)	2" (51 mm)	1-1/32" (26 mm)
L	2-9/32" (57 mm)		
M	1/2" (13 mm)	1/2" (13 mm)	1/2" (13 mm)
N	3.140" (80 mm)		3.140" (80 mm)
	WA1XK-X WA1XN-X		