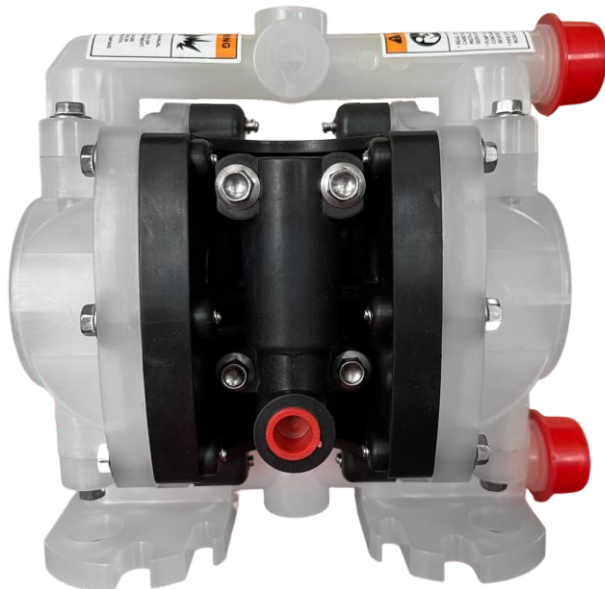


## 1/4" WB NON-METALLIC Models MODEL: WB01P-HXS-XXX

### SPECIFICATION:

Ratio:	1:1
Maximum Flow:	5.3 g.p.m. (20) l.p.m.
Displacement per cycle:	0.019 Gallons(0.072 Liters)
Air Inlet (Female):	1/4 - 18 PTF SAE Short
Fluid Inlet/Outlet Hybrid:	Internal Thread 1/4"NPTF/BSPT External Thread 3/4" - 14 NPTF/BSPT
Max. operating pressure psi (bar):	125 (8.6)
Suspended solids max. dia. in.(mm):	1/16" (1.66)
Weight lbs (kg):	2.86 (1.3) Polypropylene 3.88 (1.76) PVDF
Maximum dry suction lift ft(m) :	15 (4.6)
Sound Level:	70 PSI 60 Cycles/Min 62.3 db(A)
Muffler:	Integral, Included



### MODEL DESCRIPTION & ORDERING:

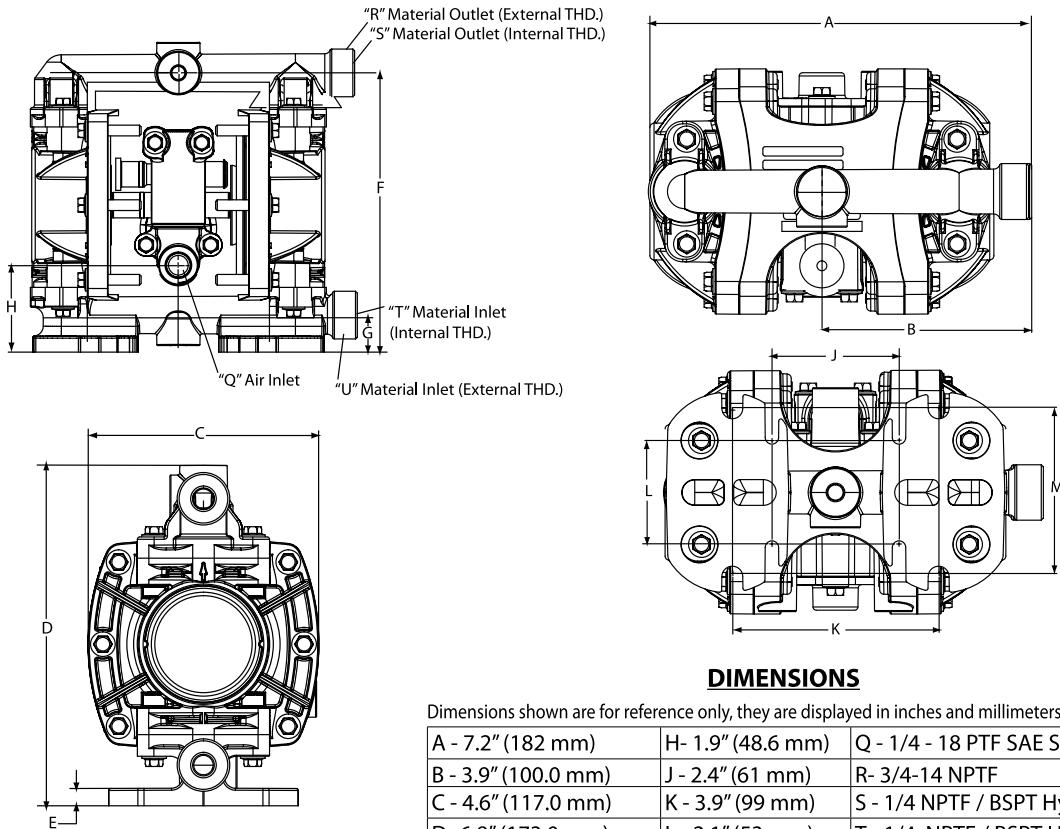
Position	1	2		3	4	5		6	7	8				
Example:	<b>WB01</b>	<b>X</b>	-	<b>H</b>	<b>X</b>	<b>S</b>	-	<b>X</b>	<b>X</b>	<b>X</b>				

Position 1 Model Series	Position 2 Center Section	Position 3 Fluid Connections	Position 4 Wetted Parts	Position 5 Hardware	Position 6 Seat Material	Position 7 Ball Material	Position 8 Diaphragm Material
WB01- Standard Pump	E - Conductive Polypropylene P - Polypropylene	H - 1/4" NPT BSP hybrid	D - Groundable Acetal* E - Groundable Acetal* (Multiple port) K - Kynar PVDF L - Kynar PVDF (Multiple port) P - Polypropylene R - Polypropylene (Multiple port)	S - Stainless Steel	D - Acetal K - PVDF P - Polypropylene 0 - Polypropylene (Flex-Check spacer)* 1 - Acetal (Flex-Check spacer)* 2 - PVDF (Flex-Check spacer)*	A - Santoprene® C - Hytrel® G - Nitrile J - Nitrile (Flex-Check only) K - EPR (Flex-Check only) L - Viton® (Flex-Check only) N - Neoprene (Flex-Check only) T - PTFE	A - Santoprene® C - Hytrel® G - Nitrile T - PTFE

Hytrel® is a registered trademark of DuPont company, Santoprene® is registered trademark of Monsanto and Viton® is a registered trademark of ExxonMobil

## 1/4" WB NON-METALLIC Models MODEL: WB01P-HXS-XXX

### DIMENSIONS:



#### DIMENSIONS

Dimensions shown are for reference only, they are displayed in inches and millimeters (mm).

A - 7.2" (182 mm)	H - 1.9" (48.6 mm)	Q - 1/4 - 18 PTF SAE Short
B - 3.9" (100.0 mm)	J - 2.4" (61 mm)	R - 3/4-14 NPTF
C - 4.6" (117.0 mm)	K - 3.9" (99 mm)	S - 1/4 NPTF / BSPT Hybrid
D - 6.8" (173.0 mm)	L - 2.1" (53 mm)	T - 1/4 NPTF / BSPT Hybrid
E - 0.3" (8.8 mm)	M - 3.2" (81 mm)	U - 3/4-14 NPTF
F - 6.1" (156 mm)		V - 1/4 NPTF
G - 0.8" (20.7 mm)		

### PERFORMANCE CURVE:

