

1/2" NON-METALLIC AIR OPERATED DOUBLE DIAPHRAGM PUMP

MODEL: WA05X-XXX

SPECIFICATION:

Air Inlet(female): 1/4"BSPT(1/4"NPT Available On Request)

Fluid Outlet: Rp1/2", Or 1/2" NPT

Fluid Inlet: Rp1/2", Or 1/2" NPT

Maximum Flow Rate: 13GPM(49.2LPM)

Max.Operating Pressure: 100psi(6.9bar)

Suspended Solids Max. Dia: 3/32"(2.4mm)

Weight: Polypropylene 7.2 lbs(3.3kg)

PVDF 9.5 Lbs(4.3kg)

Sound Level:70psi 60 cycles/min. 71.1db(A)



MODEL DESCRIPTION & ORDERING:

Position	1	2		3	4	5		
Example	WA05	X	-	X	X	X		

Position 1 Center Body	Position 2 Fluid Caps Manifold Mat.	Position 3 Seat Material	Position 4 Ball Check Material	Position 5 Diaphragm Material
Base Mode	3-Polypropylene	0-Duckbill	1-Neoprene	1-Neoprene
	6-Groundable Acetal	2-Stainless Steel	2-Nitrile	2-Nitrile
	7-PVDF	3-Polypropylene	3-Viton	3-Viton
		4-PVDF	4-PTFE	4-PTFE/Santoprene
	J-Polypropylene *	6-Acetal	5-E.P.R.	5-E.P.R.
	H-Groundable Acetal*		8-Polyurethane	8-Polyurethane
	K-PVDF*		A-Stainless Steel	9-Hytrel
	* single piece manifold		E-Santoprene	B-Santoprene

ACCESSORIES:

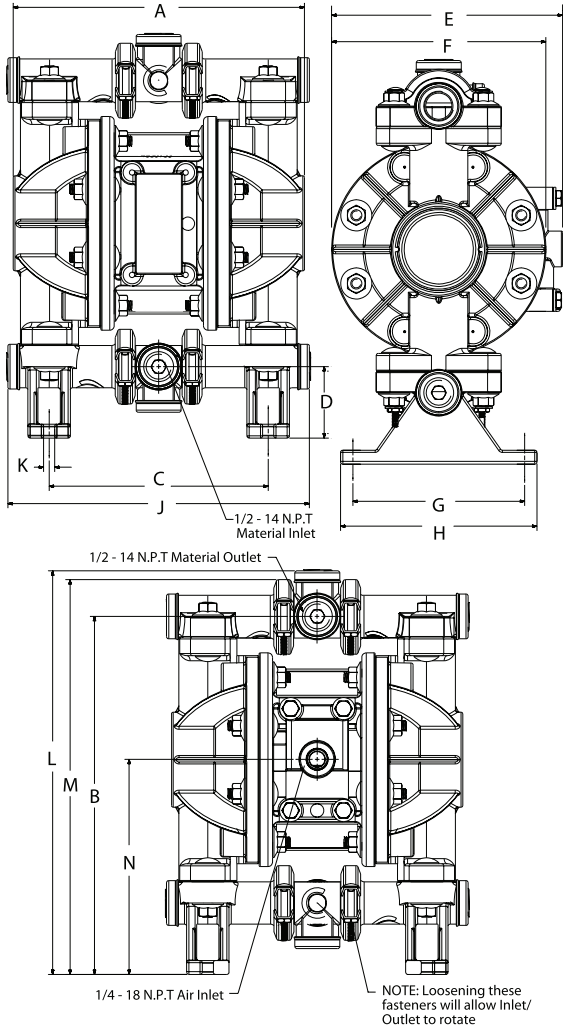
Service Repair Kit | WA637141(air section)
WA637140-XX(fluid section)

1/2" NON-METALLIC AIR OPERATED DOUBLE DIAPHRAGM PUMP MODEL: WA05X-XXX

DIMENSIONS:

PERFORMANCE CURVE:

1/2 Non-Metallic Dimensions and Flow Charts



NOTE: Dimensions are shown in inches and (mm) and are supplied for reference only.

A - 8.155 (207.1 mm)	E - 6.467 (164 mm)	J - 8.445 (215 mm)
B - 10.051 (255 mm)	F - 6.000 (152 mm)	K - 0.312 (8 mm)
C - 6.135 (155.8 mm)	G - 4.812 (122.2 mm)	L - 11.331 (288 mm)
D - 2.005 (51 mm)	H - 5.500 (140 mm)	M - 11.084 (282 mm)
	N - 6.040 (153 mm)	

