

1/2" METALLIC Models

SPECIFICATIONS:

Air Inlet(female): 1/4"BSPT(1/4"NPT Available On Request)

Fluid Outlet: Rp 1/2 (1/2-14 BSP,parallel)
1/2-14 NPT

Fluid Inlet: Rp 1/2 (1/2-14 BSP,parallel)
1/2-14 NPT

Maximum Flow Rate: 13GPM(49.2LPM)

Max. Operating Pressure: 100psi(6.9 bar)

Suspended Solids Max. Dia.: 3/32"(2.4mm)

Maximum Dry Suction Lift: 15feet(4.5m)

Weight: 62 lbs(28.1kg)

Sound Level:70psi 60 cycles/min. 75db(A)



MODEL DESCRIPTION & ORDERING:

DP31	-	15	X	X	X	X	X	X	X
		Pump Size	Center Body Mat.	Fluid Caps Manifold Mat.	Seat Material	Ball Check Material	Diaphragm Material	Fluid Connections	Hardware

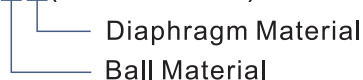
Pump Size	15-1/2"								
Center Body Mat.	A-Aluminum				R-Polypropylene				
Fluid Caps Manifold Mat.	A - Aluminum				S -Stainless Steel				
Seat Material	F - Aluminum		P - Polypropylene		S - Stainless Steel				
Ball Check Material	A-Santoprene		C-Hytrel		G-Nitrile			S-Stainless Steel	
	T-PTFE		U-Polyurethane		V-Viton				
Diaphragm Material	A-Santoprene		C-Hytrel		G-Nitrile				
	T-PTFE/Santoprene		U-Polyurethane		V-Viton				
Fluid Connections	N-NPT Threads					B-BSP Threads			
Hardware	S-Stainless Steel					C-Carbon Steel			

ACCESSORIES:

Service Repair Kits:

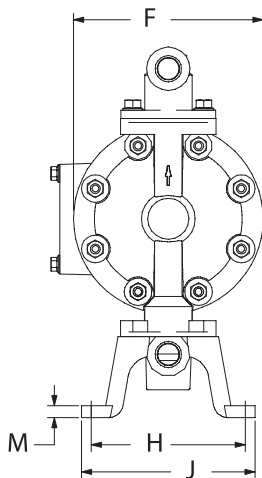
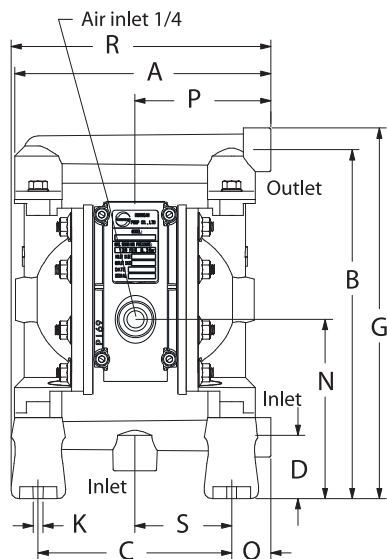
DP31-Air15(air section)

DP31-Flu15 - XX(fluid section)



1/2" METALLIC Models

DIMENSIONS:

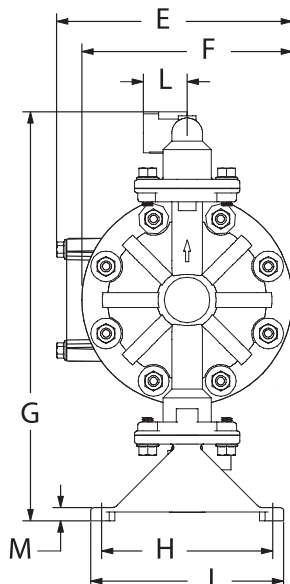
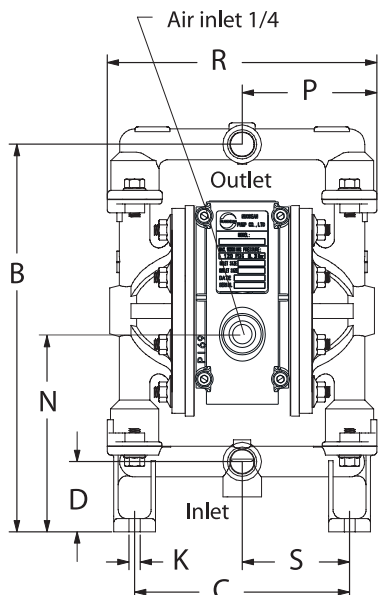


DIMENSIONS

- | | | |
|-----------------------|---------------------|----------------------|
| A 8-1/8" (206.0 mm) | G see below | N 6-5/16" (159.9 mm) |
| B 11-1/16" (280.4 mm) | H 4-7/8" (123.8 mm) | P see below |
| C 6-1/8" (155.6 mm) | J 5-1/2" (139.7 mm) | Q 1-1/4" (31.6 mm) |
| D 2" (50.8 mm) | K 5/16" (8.0 mm) | R see below |
| E see below | L 1-1/4" (31.8 mm) | S 3-1/16" (77.8 mm) |
| F 6" (152.4 mm) | M 3/8" (9.5 mm) | |

Dimension

- "E" 6-23/32" (170.6 mm)
- "G" 11-21/32" (296.0 mm)
- "P" 3-27/32" (97.4 mm)
- "R" 7-11/16" (194.9 mm)



PERFORMANCE CURVE:

